

™

EZ-VIKING Crimp Tool P/N 100544



Warranty Information

To register and activate your purchase, go to Platinum Tools' website at www.platinumtools.com/warranty.

Platinum Tools warrants this product to be free from defects in material and workmanship for a period of 5 years from the date of purchase. Liability is limited to the repair and/or replacement of the product. Warranty excludes wearable components such as cutting blades. No implied warranties of merchantability or fitness for a particular purpose. Platinum Tools is not liable for consequential damages.

EZ-RJ45® is a registered trademark of SullStar Technologies, Inc.

©Platinum Tools, Inc. All rights reserved.



806 Calle Plano
Camarillo, CA 93012
info@platinumtools.com

Publication: OMM 100544 RevB



EZ-VIKING™ Crimp Tool

PN/ 100544
Operation & Maintenance
Manual Rev (B)



806 Calle Plano
Camarillo, CA 93012
info@platinumtools.com

Publication: OMM 100544 RevB

100544 Replacement Parts List

ITEM	PART NUMBER	DESCRIPTION	NOTES
1	100543	Crimp Die Set, EZ-VIKING	See Figure 1
2	100543BL	Blade	See Figure 2
3	100543K1	Field Service Kit: a. Blade Spacer b. Blade c. Blade Return Springs (2) d. 6" Safety Wire (0.020" diameter) e. Blade Retention Nuts (2) f. Blade Retention Springs (2)	See Figure 3

Figure 1

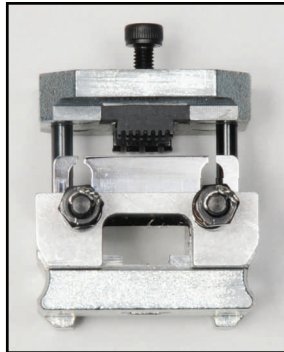


Figure 2

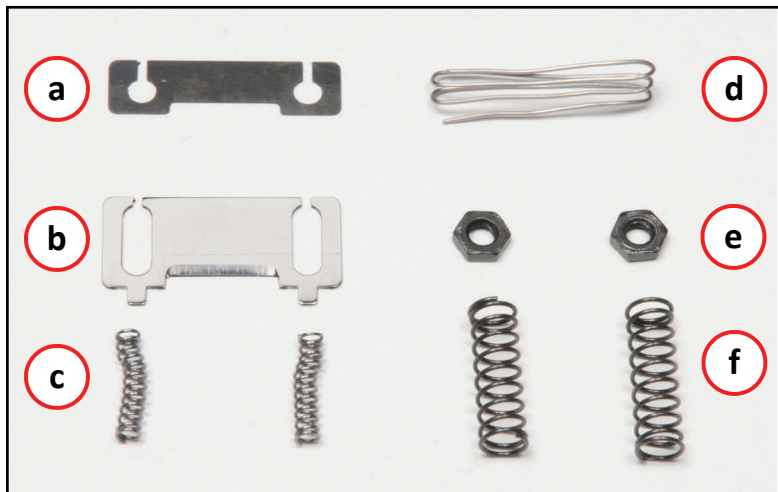


Figure 3

Die Set Blade Service (cont)

Figure 14

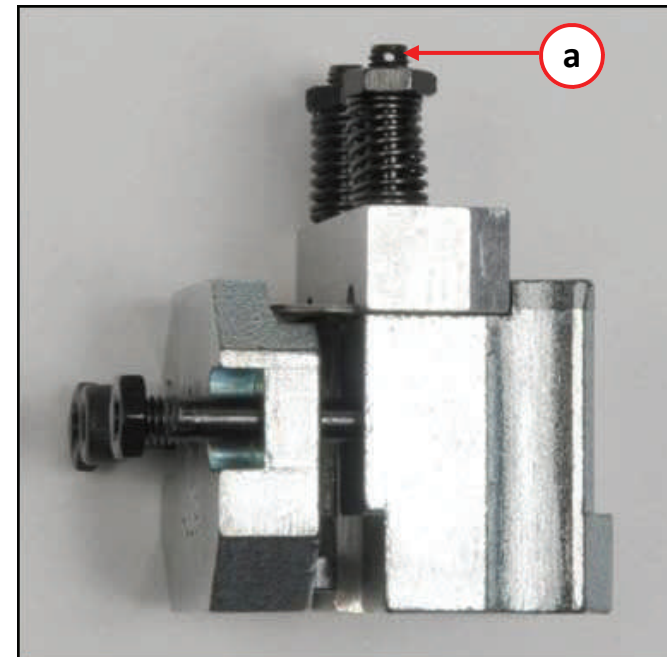
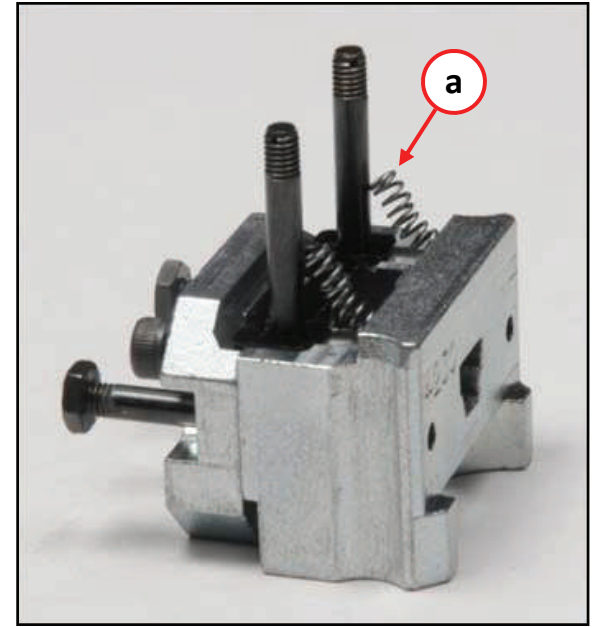


Figure 15

Die Set Blade Service (cont)

- 6) Raise Blade over the guide posts per Figure 13 and disengage Blade Tabs (a) from Blade Return Springs.
- 7) Remove and replace Blade Spacer and Blade Return Springs as required. Lubricate Blade Spacer and New Blade with light machine oil.
- 8) Reassemble die with new Blade in reverse order of “Blade Service” steps 4-7. Note: To ease Blade Tab insertion into Blade Return Springs, position springs on the Blade Guide Posts as shown in Figure 14 (a). Ensure Blade rests flat against Blade Spacer prior to sliding Blade Guide Block onto the assembly.
- 9) Tighten Blade Retention Nuts until safety wire holes are visible in the Blade Guide Posts per Figure 15 (a). Insert approximately 3” of Safety Wire through each hole and snugly twist wire together 3-5 times.
- 10) Clip excess Safety Wire from each post per Figure 10 (a) and bend twisted portion around the post per Figure 1 to prevent snagging during use.
- 11) Re-install die in tool frame per “Die Set Installation” steps 1-6.

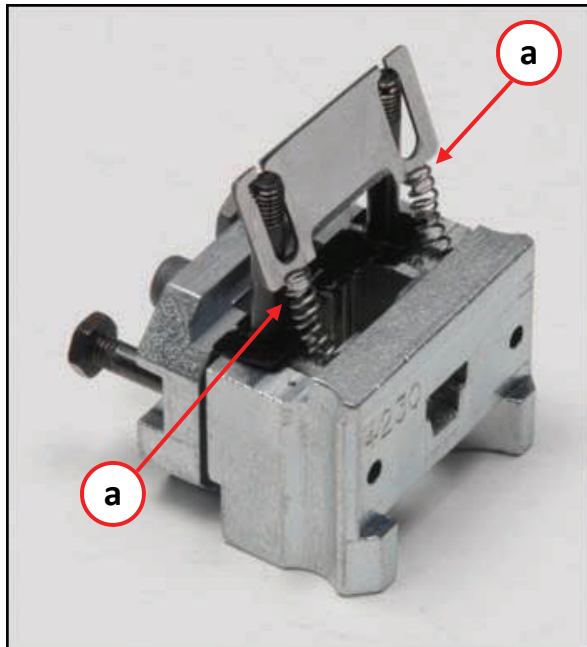


Figure 13

Operation

The 100544 EZ-VIKING Crimp Tool is manufactured to provide an exceptionally precise and repeatable crimp tolerance which will maximize network performance after termination. Proper maintenance and care as detailed in this manual will ensure a long service life.

This tool is compatible with all EZ-RJ45[®] Cat 5e, Cat 6, Cat 6 Internal and External Ground connectors.

Prepare cable per manufacturer’s instructions. Prepare and wire connector as defined by network engineering specifications.

- 1) Twist conductors into a bundle per Figure 4 to ensure easy insertion into tool. Twist the conductors at the far end keeping them tension free at the connector face (a).
- 2) Insert twisted conductors and connector into tool die until the connector locking tab engages. Note: A small “click” will be audible during engagement.
- 3) While holding twisted conductors in one hand, squeeze tool handles together until the ratchet releases. The tool simultaneously trims the excess conductors and crimps the connector.
- 4) Remove crimped connector from the tool die by depressing the connector locking tab and gently pulling the cable.

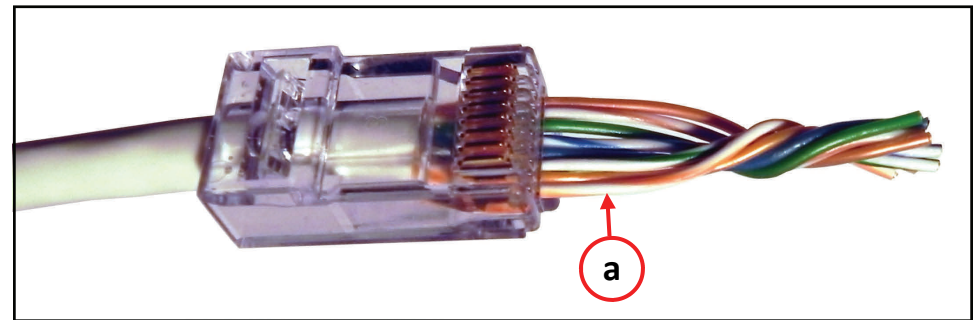


Figure 4

Lubrication

- 1) All metallic tooling surfaces should be maintained with a *thin* coating of light machine oil.
- 2) See Figure 5 for special lubrication requirements on moving tool parts. The following points should be oiled every 500 crimp cycles or every 3 months.
 - a) Die Guide Posts
 - b) Handle Ratchet and Pivot

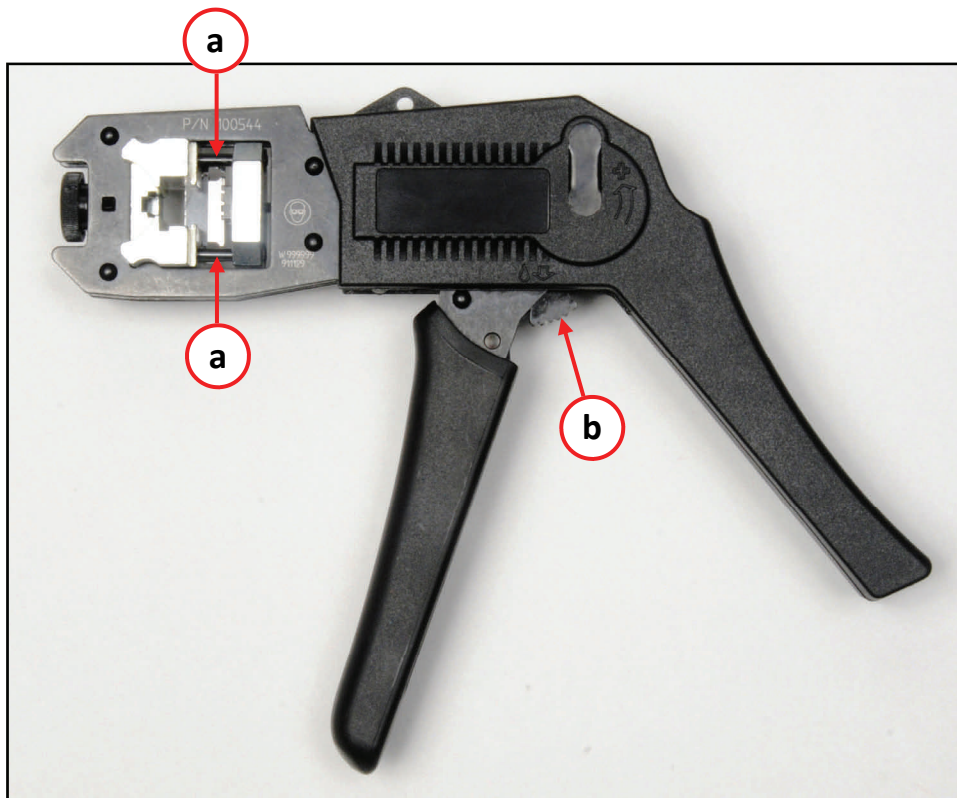


Figure 5

Die Set Blade Service (cont)

Figure 11

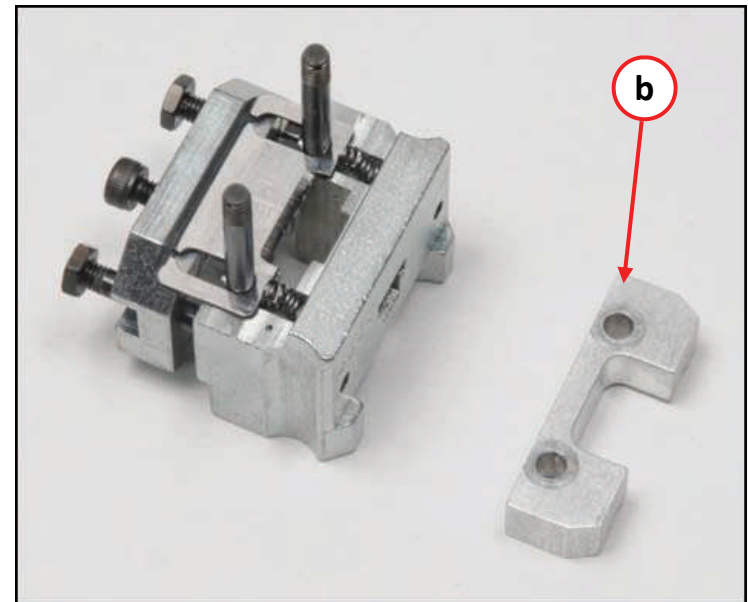
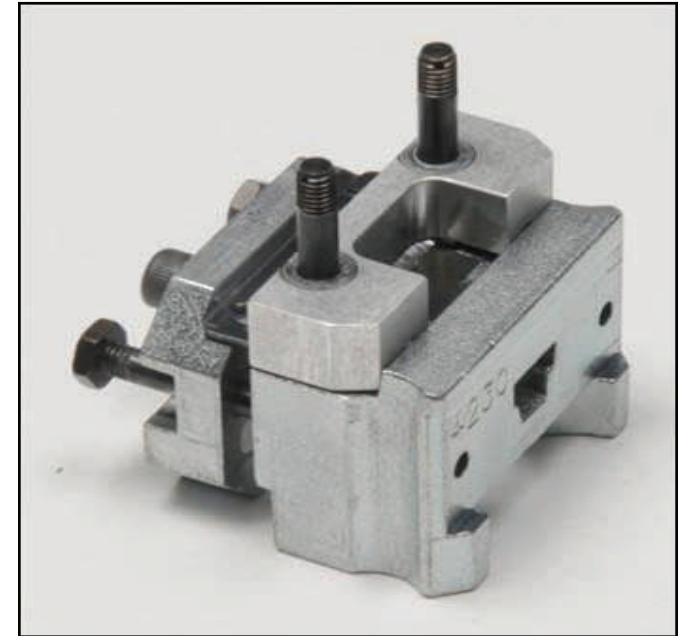


Figure 12

Die Set Blade Service

- 1) Remove die set from tool frame per “Die Set Replacement”, page 7, steps 1-3.
- 2) Place die set on a hard surface as shown in Figure 10.
- 3) Straighten and cut the twisted safety wire from the Blade Retention Posts, Figure 10 (a).
- 4) Remove Blade Retention Nuts and Springs from the posts per Figure 11. Compress each Blade Retention Spring with fingers or flat object to contain it while removing nuts.
CAUTION: Safety glasses required! Springs under compression may fly from die if not fully contained during nut removal.
- 5) Slide Blade Guide Block (b) up and off of the Blade Retention Posts per Figure 12.

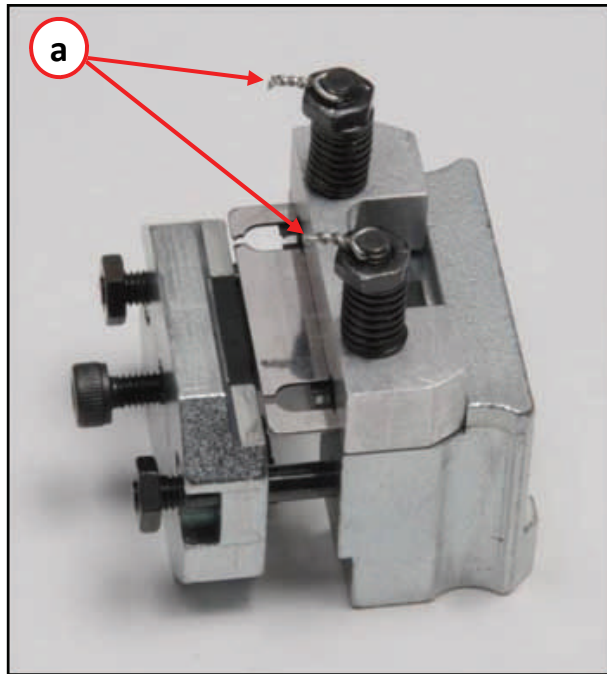


Figure 10

Die Set Installation

The tool frame and die set are shipped unassembled and must be assembled prior to initial use. Remove frame and die set from packaging.

Preparing tool for die set installation, see Figure 6.

- 1) Loosen thumbscrew (a) by rotating counter-clockwise. Ensure no portion of the screw tip is present in the die cavity.
- 2) Squeeze frame handles until the upper die control arms (b) are visible in the die cavity. Note: Two ratchet clicks should be heard when properly positioned.

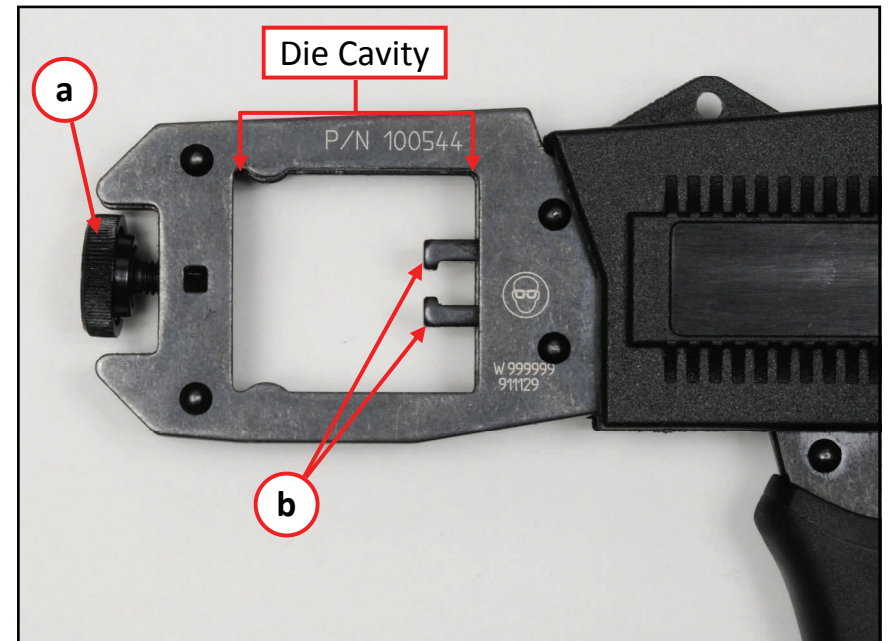
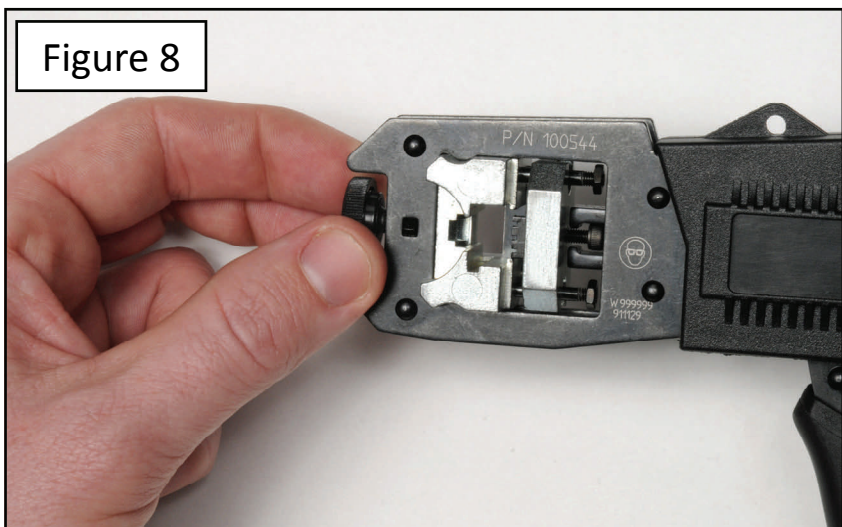
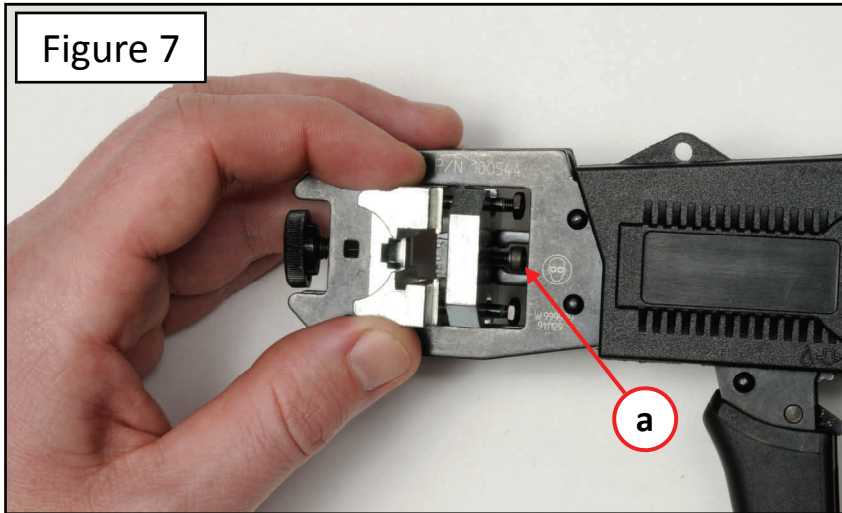


Figure 6

Die Set Installation (cont)

- 3) Position die set as shown in Figure 7 and slide into tool frame. Ensure top die screw head (a) is encapsulated by upper die control arms.
- 4) Hand tighten thumbscrew by rotating clockwise per Figure 8.
- 5) Squeeze frame handles to complete a full ratchet cycle.
- 6) Tool is ready for use.



Die Set Replacement

- 1) Squeeze frame handles until the upper die control arms, Figure 9 (a) are visible in the die cavity.
Note: Two ratchet clicks should be heard when properly positioned.
- 2) Loosen thumbscrew (b) by rotating counter-clockwise. Ensure no portion of the screw is present in the die cavity.
- 3) Slide die out of tool frame by pushing from the opposite side shown in Figure 9.
- 4) Re-install die following the “Die Set Installation” steps 1-6 shown on page 5 and 6.

